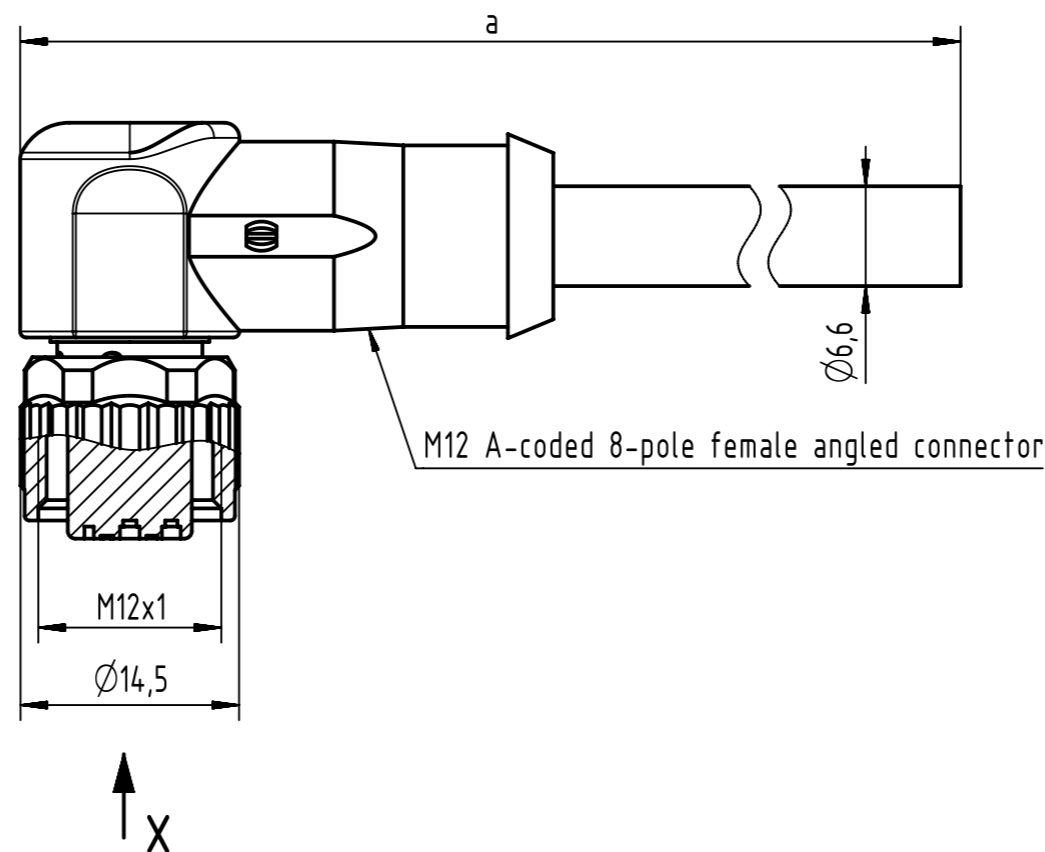
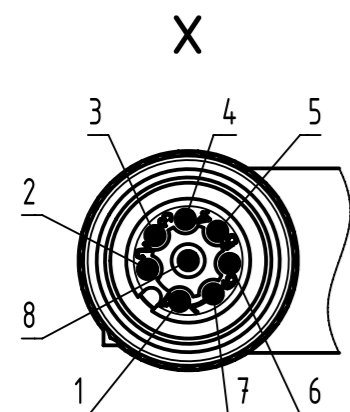


Connector Location A

Connector Location B

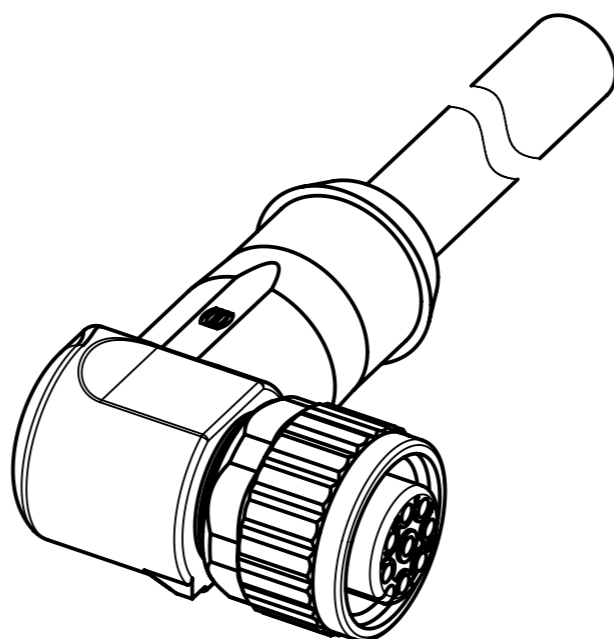


M12 A-coded 8-pole female angled connector



Loading-Plan

1	Shield
2	White
3	Brown
4	Green
5	Yellow
6	Grey
7	Pink
8	Blue
	Red



- Temperature range: -25°C...+80°C
- Protection level: IP67

length in "1m" step	100	XXX=000
	99	XXX=990
	.	.
length in "0.1m" step	12	XXX=120
	11	XXX=110
	10	XXX=100
	9.9	XXX=099
	9.8	XXX=098
	.	.
	0.4	XXX=004
	0.3	XXX=003
	0.2	XXX=002
	0.1	XXX=001
Step	a[m]	XXX

4.0 to 100	±1%
0.1 to 3.9	+0.04
a [m]	Tolerance

8x0,25mm ² , PVC, grey	2134A900820XXX
Type of cable	Part no.

	All rights reserved	Created by POPESCU	Inspected by TAMAS	Standardisation MUNTEANV	Date 2016-08-25	State Final Release	
	Department HCS - RO	Title M12 A-coded Cable Assembly				Doc-Key / ECM-Nr. 100685337/UGD/000/A 500000108108	
HARTING Customised Solutions D-32427 Minden		Type TB	Number 2134A900820XXX			Rev. A	Page 1/1